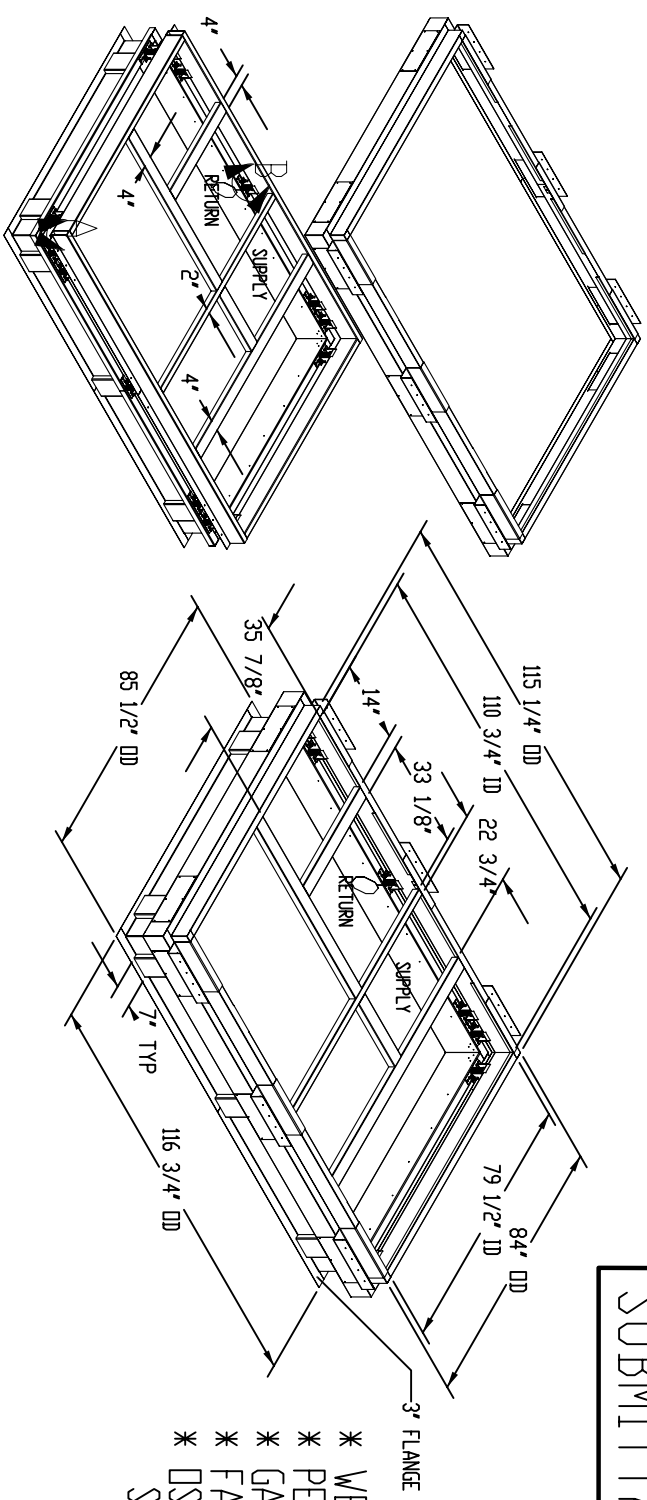
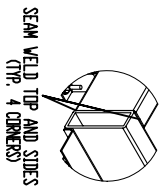


SUBMITTAL

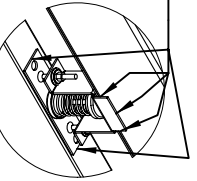
0403-622A SERIES



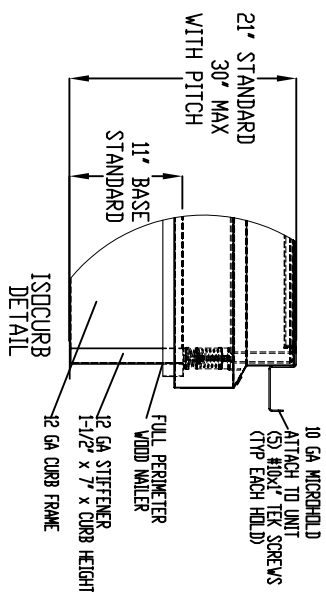
- \* WELDED CONSTRUCTION
- \* PERIMETER WOOD NAILER
- \* GASKET PACKAGE
- \* FACTORY INSTALLED HOLDDOWNS
- \* DSHPD PRE-APPROVED 2" DEF
- SEISMIC RESTRAINTS (DPA#0070)



DETAIL A  
SEAM WELD TOP AND SIDES  
(TP, 4\" CORNERS)  
SCALE 1 : 10



DETAIL B  
SCALE 1 : 8



**Micrometl Corporation**

PRODUCT NUMBER:  
0403-622A  
ISOLATION CURBS

0403-622A-8B-01CBC 18' TALL  
0403-622A-01CBC 21' TALL

STRUCTURALLY CALCULATED VIBRATION ISOLATION

CURB FOR YORK BP 180

Sparks, NV, (800) 884-4662  
Indianapolis, IN, (800) 662-4822  
Longview, TX, (903) 248-4800

THE INFORMATION CONTAINED IN THIS DRAWING IS THE SOLE PROPERTY OF MICROMETL CORPORATION. ANY REPRODUCTION IN PART OR WHOLE WITHOUT THE WRITTEN PERMISSION OF MICROMETL CORPORATION IS PROHIBITED.

DATE:	07/2007
DRAWN BY:	MAC
WEIGHT:	1020/1080
MEETS SEISMIC REQUIREMENTS FOR FOLLOWING CODES:	
2001 CBC	
2006 IBC	