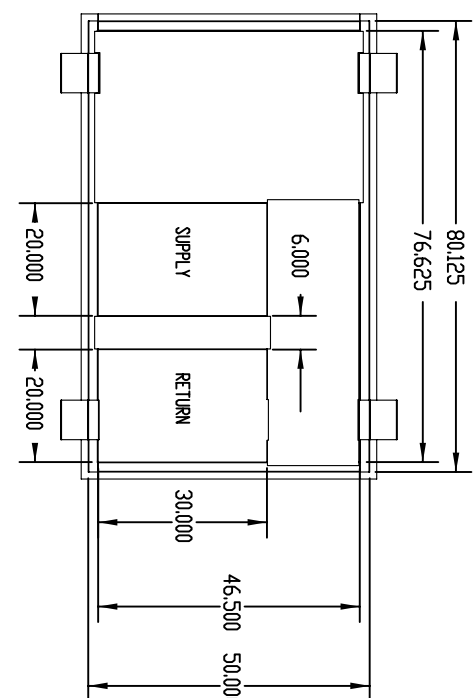
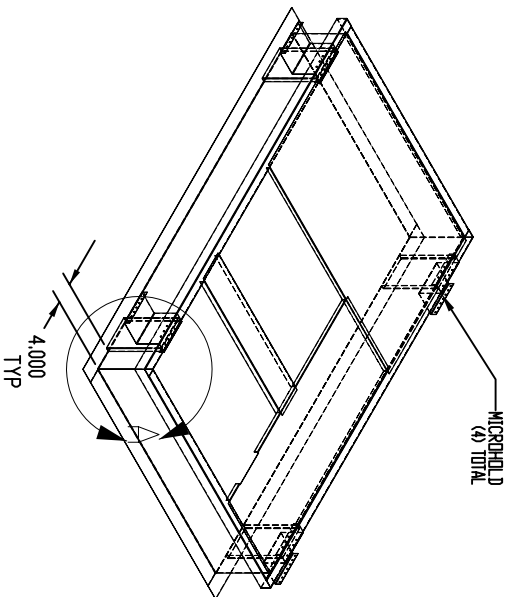
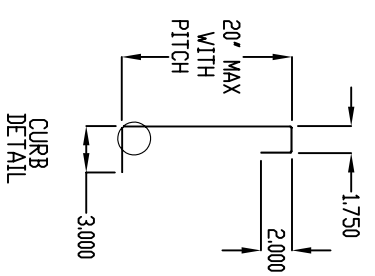
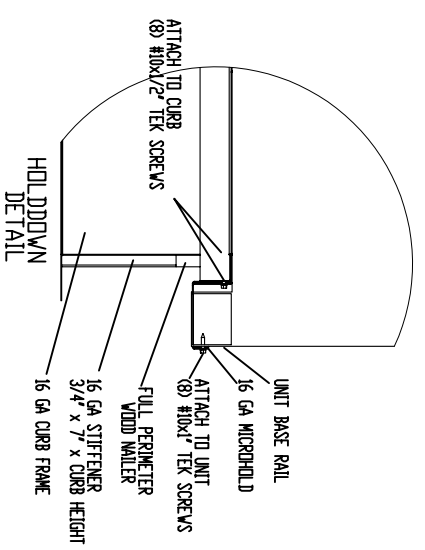
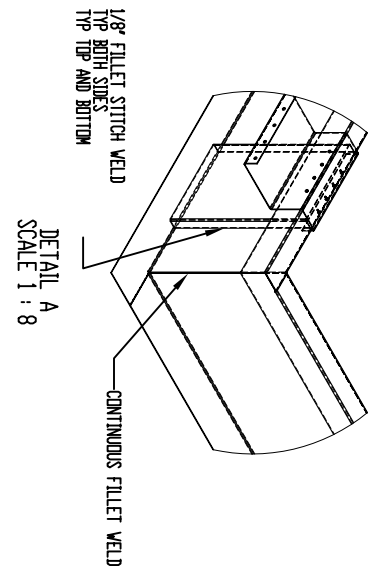


SUBMITTAL

W564 SERIES



- * WELDED CONSTRUCTION
- * PERIMETER WOOD NAILER
- * GASKET PACKAGE
- * FACTORY INSTALLED HOLDDOWNS
- * INSULATED DECK PANS



Micrometl Corporation

PRODUCT NUMBER:
W564 SERIES
WELDED CURBS

W564-C014-01CBC 14" TALL

Sparks, NV. (800) 884-4662
Indianapolis, IN. (800) 662-4822
Longview, TX. (903) 248-4800

STRUCTURALLY CALCULATED WELDED
CURB FOR YORK ZH, XP 078-150

THE INFORMATION CONTAINED IN THIS DRAWING IS THE SOLE PROPERTY OF MICROMETL CORPORATION. ANY REPRODUCTION IN PART OR WHOLE WITHOUT THE WRITTEN PERMISSION OF MICROMETL CORPORATION IS PROHIBITED.

DATE:	07/2007
DRAWN BY:	MAC
WEIGHT:	130/143/156
MEETS SEISMIC REQUIREMENTS FOR FOLLOWING CODES:	
2001 CBC	
2006 IBC	